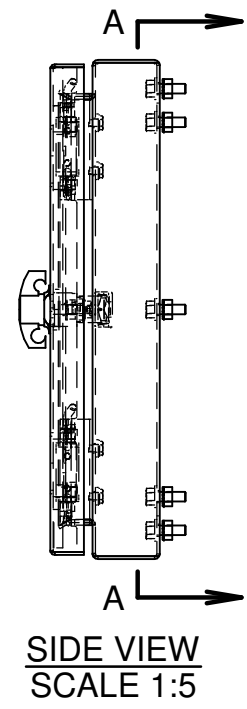
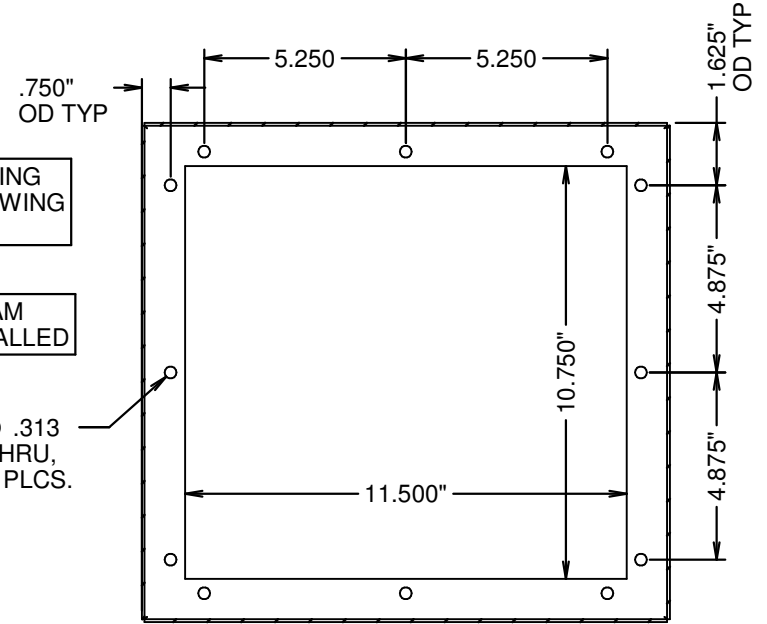
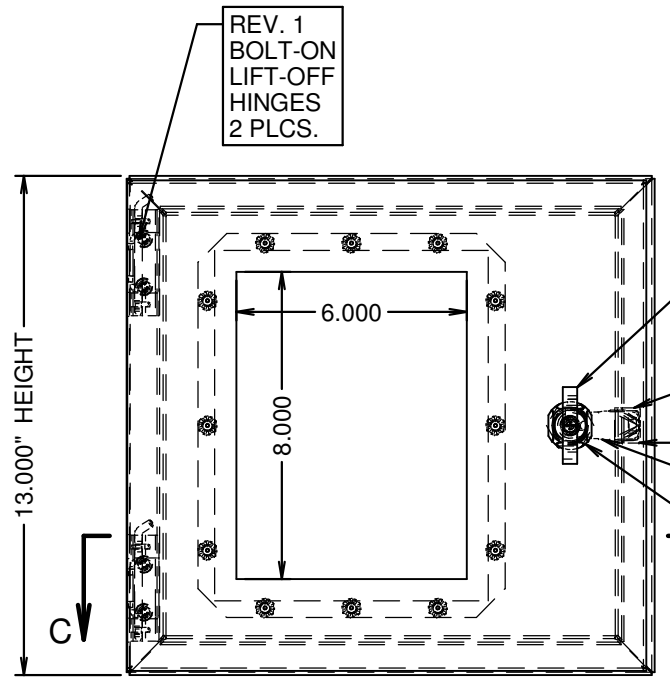
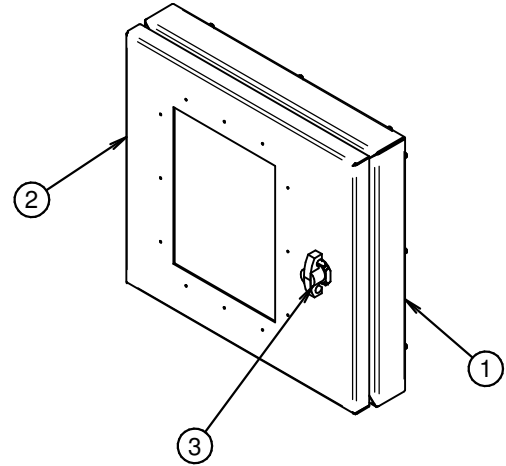
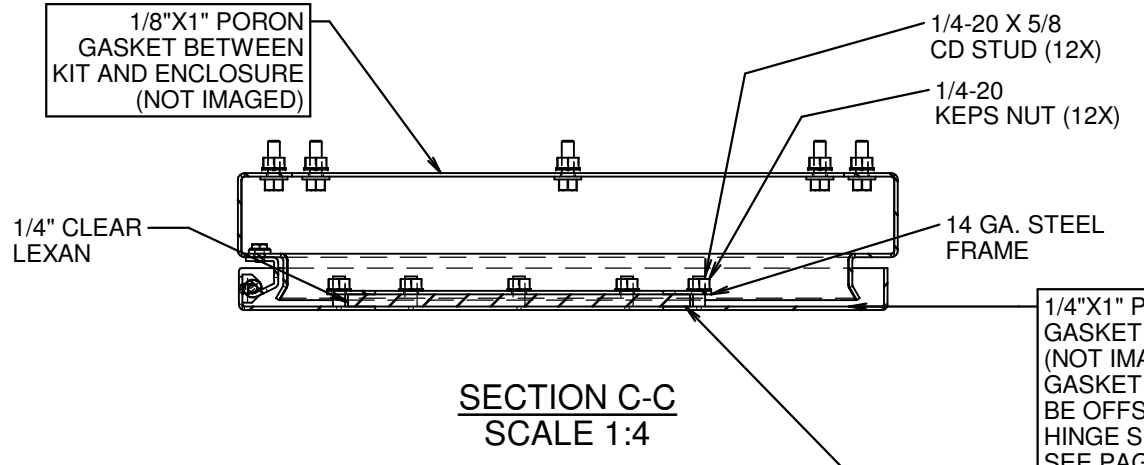
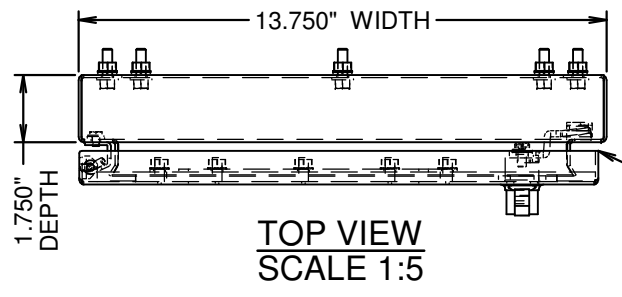
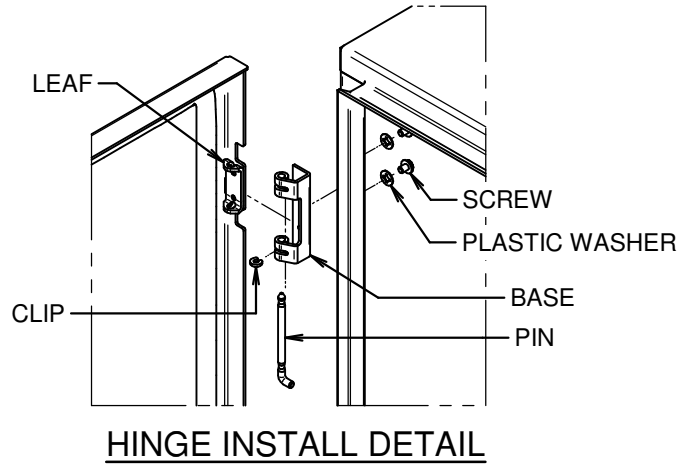
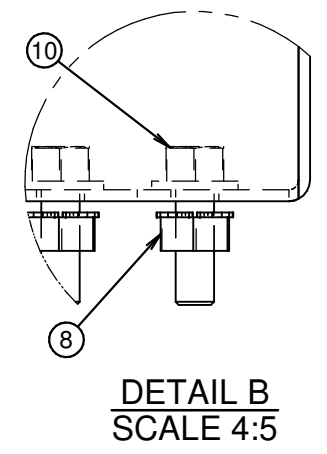
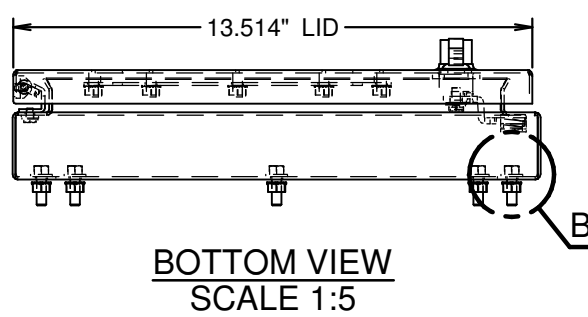


REVISION HISTORY			
REV	DESCRIPTION	DATE	APP



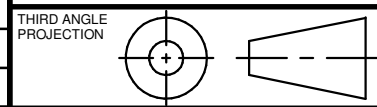
BILL OF MATERIALS			
#	PN	DESC	QTY
1	SPHWK-86-224-1_K4		1
2	SPHWK-86-224-1_D1		1
3	200-0036	LATCH, QT, PADLOCKING, ZN, BLK PC FINISH, ZINC WING INSERT, BLK PC FINISH	1
4	200-0011	CAM, 1 PT OFFSET DN, STOP, STEEL, ZN FINISH, 14 H, 45 L	1
5*	HI-MDSS_ASSY		2
6*	200-0419	STUD, CD, THREAD, STEEL, CU FINISH, 1/4-20, L=0.625	12
7*	200-1601	LEXAN, .236 x 48 x 96 ULTRAMASKED HYZOD MATERIAL	1
8	200-0065	NUT, KEPS, STEEL, ZN FINISH, 1/4-20	24
9	200-1663	SLIDE SHOE, 2 PC TO SLIDE ON 1/4-TURN CAM	1
10	200-0072	SCREW, FLANGE, STEEL, ZY FINISH, 1/4-20 X 0.75, HEX HEAD, SLOTTED DRIVE	12
11*	SPHWK-86-224-1_FRAME		1
12*	200-1506	Gasket, 1/8 X 1/2 X 40Ft Poron	1
13*	200-0117	Gasket, 1/8" X 1", Poron	1
14*	200-0100_D	GASKET, 1/4 x 1" x30FT PORON 4701-40-250 PORON LAMINATED w/SOLVENT BASED ADHESIVE ONE SIDE / PAPER RELEASE LINER. FOAM MEETS UL 50/508.	1



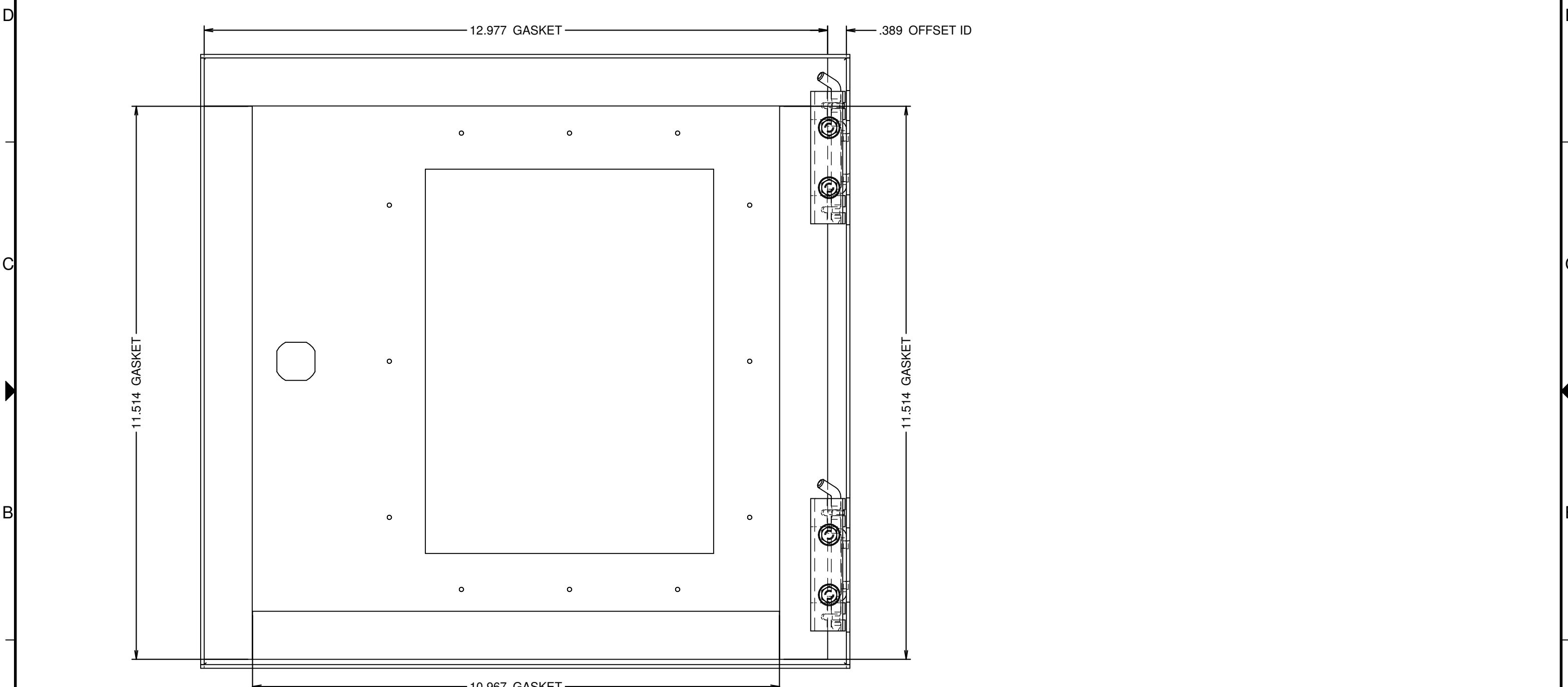
DIMENSIONS APPLY BEFORE SURFACE TREATMENT	
TOLERANCES UNLESS OTHERWISE SPECIFIED	
0.xxx	± 0.010
0.xx	± 0.06
0.x	± 0.1
x	± 0.25
x.x°	1°

NAME: Bryndon
 DATE: 05/14/2015
Schaefer's
 ELECTRICAL ENCLOSURES
4680A NASH ROAD
 SCOTT CITY, MO 63780
 PH: (573) 986-9400 | FAX: (573) 986-9499
 WEB PAGE: electrical-enclosures.com

CUSTOMER: NORTH AMERICAN ELECTRIC	
TITLE: ASSEMBLY, HINGED WINDOW KIT	
B FINISH: STANDARD WHITE	FILE: SPHWK-86-224-1
CUST. DWG. -	REV. -
14 GA CARBON	SHEET 1 OF 2



6 5 4 3 2 1



INSIDE LID VIEW

DIMENSIONS APPLY BEFORE SURFACE TREATMENT	
TOLERANCES UNLESS OTHERWISE SPECIFIED	
0.xxx	± 0.010
0.xx	± 0.06
0.x	± 0.1
x	± 0.25
x.x°	1°

DRAWN BY:	NAME	DATE
Bryndon		05/14/2015
<small>4680A NASH ROAD SCOTT CITY, MO 63780 PH: (573) 986-9400 FAX: (573) 986-9499 WEB PAGE: electrical-enclosures.com</small>		

CUSTOMER:		NORTH AMERICAN ELECTRIC	
TITLE:			
ASSEMBLY, HINGED WINDOW KIT			
B	FINISH:	STANDARD WHITE	
FILE: SPHWK-86-224-1			
CUST. DWG. -		REV. -	
14 GA CARBON		SHEET 2 OF 2	

6 5 4 3 2 1